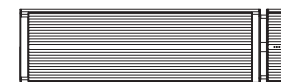


Health and fresh!



Heater-III



Heater-IV



Heater-V

OWNER'S MANUAL

READ AND SAVE THESE INSTRUCTIONS

- Read all instructions carefully before setting up and operating this unit.
- This manual is designed to provide you with important information needed to setup, operate, maintain for your radiant heaters.
- Failure to follow these instructions may damage and/or impair its operation and void the warranty.



Health and fresh!

1. FOREWORD

Thank you for your trust and support in choosing the Radiant Heater, please read the instructions carefully before operating product.

2. RADIANT HEATER THEORY

Far-infrared radiant heater is produced by unique design and manufacturing technique.

Adopted special aluminum alloy radiation panel, surface of panel process with special coating, inside of panel embed with heating element, heating element generate and transfer heat to people and objects after power.

The heat is spread in the form of radiation, emitted from radiant panel surface, transferred to people, wall, floor, ceiling, furniture etc, like sunshine.

Radiant heating, will not lead to air convection, air is fresh and clean, to maintain indoor relative humidity and heat distribution, makes sense of natural, fresh, comfortable, like the warmth of sunshine bathing.

3. PERFORMANCE FEATURES

Comfortable:

No wind, light or odor will be caused during the running of this product, so the indoor air is clean without floating dust.

Energy-saving:

High heat generation efficiency and good heat radiation effect, controlling the temperature intelligently, and saves power and energy.

Reliable:

The indoor temperature can be adjusted freely, free of the limitation of heating season.

Physical therapy:

The heat radiant can change body microcirculation, cell organization under skin producing resonance, clearing the barrier of microcirculation, adjusting and balancing nervous system, promoting metabolism, increasing body physical power. It is very good for people's health.

4. WORKING CONDITION

Ambient temperature: -30°C ~ +30°C

Rated Voltage: 220-240V~

Rated frequency: 50Hz/60Hz

Relative humidity: less than 95%

5. INSTALLATION REQUIREMENTS

1. Qualified installer:

Electrical installation certificate shall be held by professional installation personnel, the installation process should meet the national electrical safety standards.

2. Installation conditions:

(1) Supply voltage fluctuation range should be within $\pm 10\%$, if do not meet, must be revised before installation.

(2) If there is a serious security risk in users' electricity environment, the installation should be refused, until eliminate the security risks.

(3) Electricity lines should be equipped with earth leakage protection devices and master switch.

(4) Ground wire should be connected to the grounding device on the building, if not, please consult to professional installer, please do not put ground wire to gas pipe, water pipe, lightning rod or telephone grounding wire.

Electrical Parameters

Heater-III

Model No.	Power(W)	Rated Current(A)	Voltage(V)	Cable length(mm)
JH-NR10-13A/B	1000	4.3	220-240	2000
JH-NR18-13A/B	1800	7.8	220-240	2000
JH-NR24-13A/B	2400	10.4	220-240	2000
JH-NR32-13A/B	3200	13.9	220-240	500
JH-NR40-13A	4000	5.8	380-415	500

Heater-IV

Model No.	Power(W)	Rated Current(A)	Voltage(V)	Cable length(mm)
JH-NR10-14A/B	1000	4.3	220-240	2000
JH-NR18-14A/B	1800	7.8	220-240	2000
JH-NR24-14A/B	2400	10.4	220-240	2000
JH-NR32-14A/B	3200	13.9	220-240	500
JH-NR40-14A	4000	5.8	380-415	500

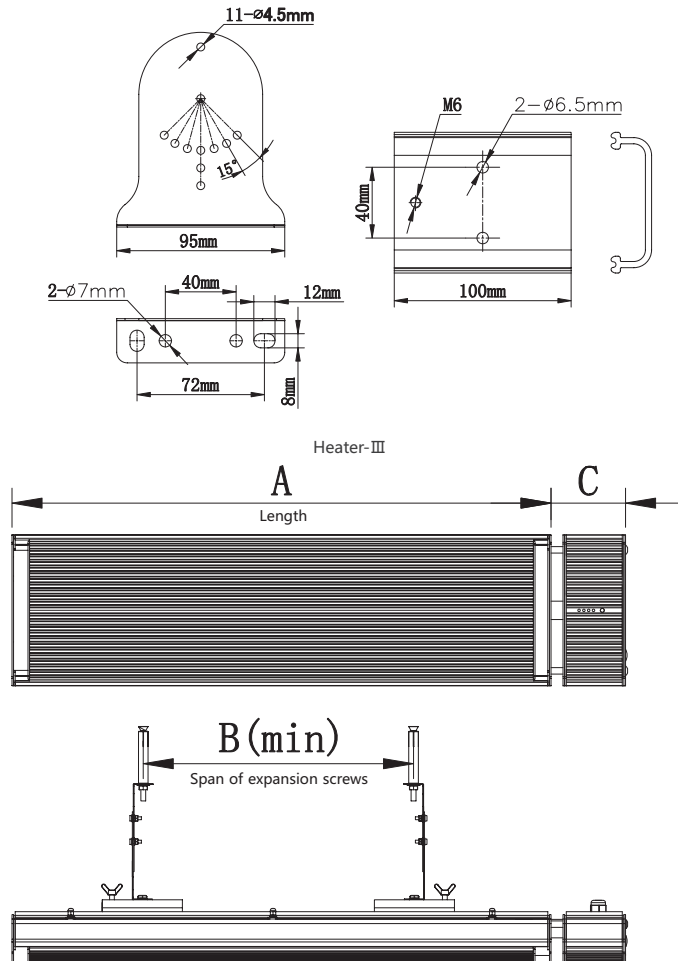
Heater-V

Model No.	Power(W)	Rated Current(A)	Voltage(V)	Cable length(mm)
JH-NR10-15A/B	1000	4.3	220-240	2000
JH-NR18-15A/B	1800	7.8	220-240	2000
JH-NR24-15A/B	2400	10.4	220-240	2000
JH-NR32-15A/B	3200	13.9	220-240	500
JH-NR40-15A	4000	5.8	380-415	500

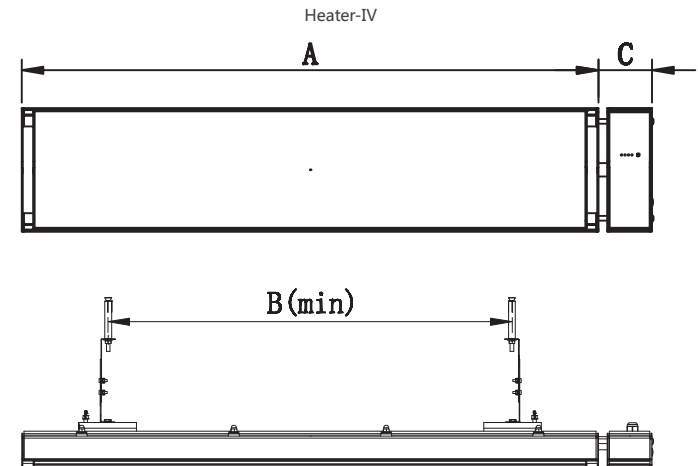
Health and fresh!

6. INSTALLATION INSTRUCTION

Spare parts size drawing



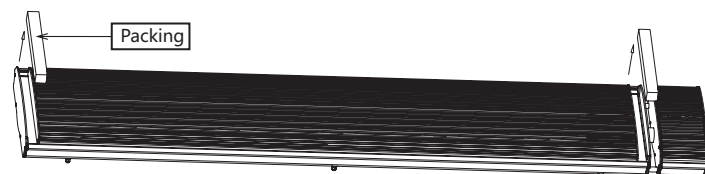
Model No.	Dimension A	Dimension B	Dimension C
JH-NR10-13A/B	600mm	200mm	95mm
JH-NR18-13A/B	1000mm	700mm	95mm
JH-NR24-13A/B	1500mm	1200mm	95mm
JH-NR32-13A/B	2000mm	1700mm	95mm
JH-NR40-13A	2000mm	1700mm	/



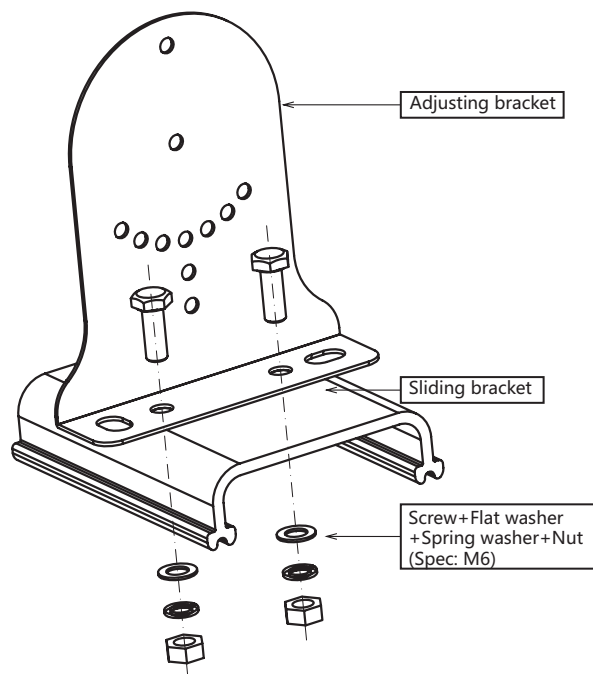
Model No.	Dimension A	Dimension B	Dimension C
JH-NR10-14A/B	600mm	200mm	95mm
JH-NR18-14A/B	1000mm	700mm	95mm
JH-NR24-14A/B	1500mm	1200mm	95mm
JH-NR32-14A/B	2000mm	1700mm	95mm
JH-NR40-14A	2000mm	1700mm	/

Healthandfresh!

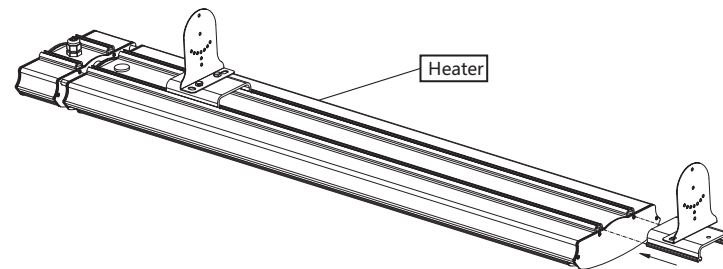
Step 1 : Take out packing of both ends of heater.



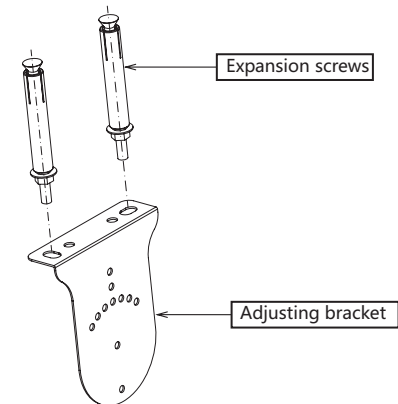
Step 2 : Installation of adjusting bracket & sliding bracket.



Step 3 : Installation of sliding bracket & heater, as arrow points.

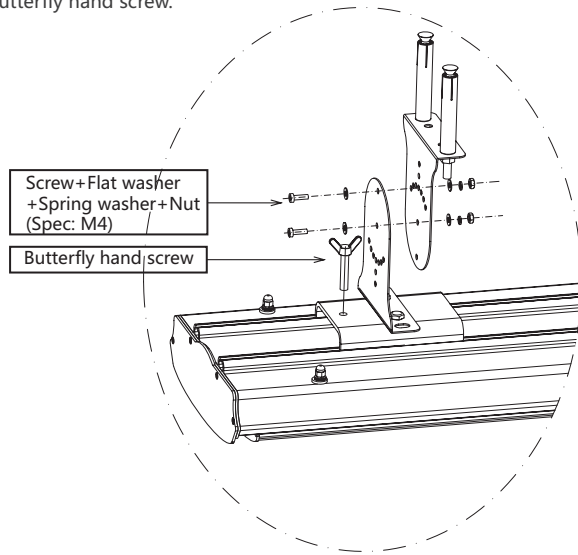


Step 4 : Fix adjusting bracket into the wall by expansion screws.

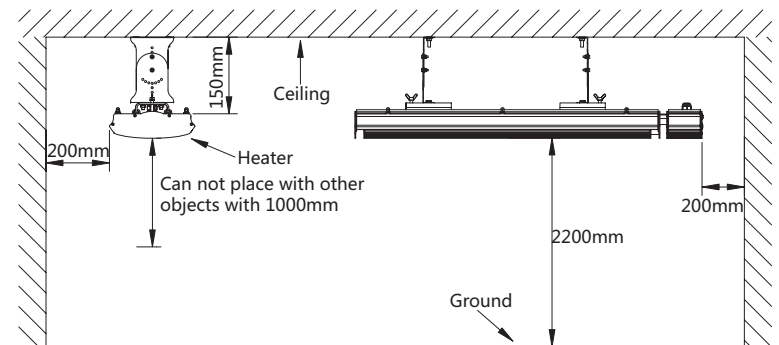


Health and fresh!

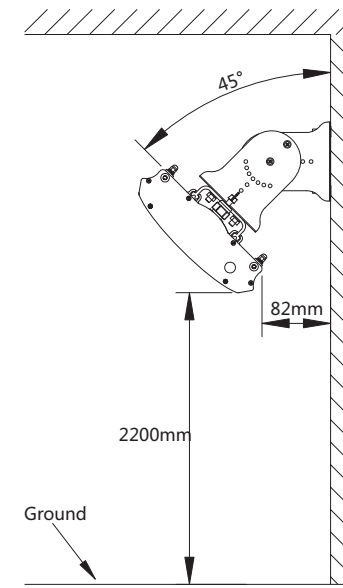
Step 5 : Installation of two adjusting brackets; make sure lock brackets tight by butterfly hand screw.



7. INSTALLATION DIAGRAM

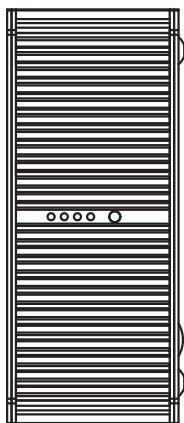


Picture 1

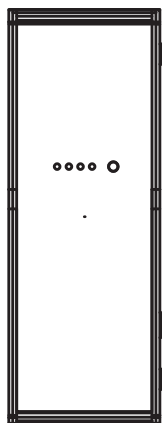


Picture 2

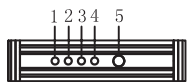
8. MANUAL FOR REMOTE



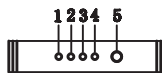
Temperature controller parts (Heater-III)



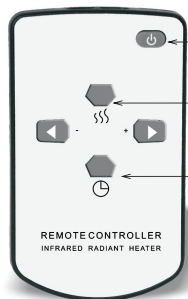
Temperature controller parts (Heater-IV)



LED



LED



REMOTE CONTROLLER
INFRARED RADIANT HEATER

On&off button
Turn on&off the heater

Power button :
Running power between:
25%-50%-75%-100%

Clock button :
Control heater turn off in
setting hours : normal→
2 hours→4 hours→8 hour

remote

LED indicate manual

AS aboved pic shows: There are 4 indicate lights in the temperature controller parts, these 4 indicate lights are used to indicate machine's running level. No.5 is far infrared receiver; Attention: The No. 1 indicate light has two color state, red and green.

1. After connected with electrical, but keep turn off heater. You will see all indicate lights not shines , like ○ ○ ○ ○ , please press (ON&OFF BUTTON) to turn on heater. Please noted: Heater default setting runs in 100% power.
2. Press (POWER BUTTON) to adjust heater running power.
3. Press (CLOCK BUTTON) to control heater turn off on setting hours.

Power levels

No. 1 indicate light has two color state, red and green.
shines red: No.2 to No 4 lights shows in power setting;
shines green: No.2 to No.4 lights shows in clock setting (time setting).

- ○ ○ ○ power level 25%
- ● ○ ○ power level 50%
- ● ● ○ power level 75%
- ● ● ● power level 100%

○ light closed ● red light shines ● green light shines

- ○ ○ ○ No in clock function(without time setting)
- ● ○ ○ heater will auto close after 2 hours
- ● ● ○ heater will auto close after 4 hours
- ● ● ● heater will auto close after 8 hours

9. INSPECTION ITEMS AFTER INSTALLATION

Items to be checked	Situation caused by improperly installation
Is installation stable?	The equipment may fall off or shake.
Is heat insulation adequate?	Damage objects close to equipment.
Does power voltage same as voltage shown on product nameplate?	Equipment failure.
Does wire connection correct?	Equipment failure.
Does electricity ground connected safely?	There is electricity leakage risk.
Does wiring conform to standard?	Equipment failure or circuit damage.

10. ATTENTION

Due to thermal expansion and contraction, the heater would make noise when turning on or off. It's a normal phenomenon, and won't make bad affection.

11. INSPECTION ITEMS FOR COMMISSIONING

1. Cannot turn on power before finishing all installation works.
2. All wires connection are correct and firm.
3. All scattered objects must be removed from radiant heater body.
4. Connect with power to observe radiant heater working status.

12. SAFETY PRECAUTIONS

1. Do not use the same socket together with other appliances, in case of current overload. Make sure the plug and socket good contact.
2. Please pull plugs out when power off. Be care, do not pull wires by hands.
3. Please stop power immediately once heaters failure or wires are broken. Users can not repair heaters by themselves. Pls contact authorized servicer for maintenance if heaters failure.
4. Radiant heater can not be placed directly below the power outlet.
5. Radiant heater surface temperature is high, must be installed higher than 2.2 meters above ground.
6. Radiant heater surface can not be covered and can not hang objects on equipment.
7. The distance between back of radiant heater and roof should be larger than 150mm, can not place objects within 1000mm distance in front of radiant heater, the side should be kept at least 200mm away from the surrounding space.
8. Must cut off power and wait till equipment surface cool before cleaning, flushed by water is prohibited.
9. Users can not repair the radiant heater, if equipment failure and need maintenance, please contact authorized servicer.
10. Do not install and use radiant heaters on areas occur with flammable, explosive, easy to shock.
11. Please do not insert any metal or foreign objects to inside of radiant heater, to avoid accident or personal injury.
12. Radiant heater panel surface with high temperature, the surface temperature can reach to 250°C ~ 380°C, touch is forbidden, beware of scalding accident.
13. Do not splash water into radiant heater to avoid accidents.

13. PACKING LIST

No.	Name	QTY
1	Heater	1 pc
2	Adjusting bracket	4 pc
3	Sliding bracket	2 pc
4	Fastener	1 set
5	Owner manual	1 copy
6	Certification	1 pc

14. SPECIFICATIONS

Model No.	Dimension(mm)	Package size(mm)	Net weight(kg)	Gross weight(kg)
JH-NR10-13A	600*189*67	695*250*145	3.7	4.8
JH-NR18-13A	1000*189*67	1095*250*145	6.2	7.4
JH-NR24-13A	1500*189*67	1595*250*145	8.8	10.6
JH-NR32-13A	2000*189*67	2095*250*145	11.4	13.4
JH-NR40-13A	2000*189*67	2095*250*145	11.4	13.4
JH-NR10-13B	695*189*67	790*250*145	4.3	5.4
JH-NR18-13B	1095*189*67	1190*250*145	6.8	8
JH-NR24-13B	1595*189*67	1690*250*145	9.4	11.2
JH-NR32-13B	2095*189*67	2190*250*145	12.2	14.2

Model No.	Dimension(mm)	Package size(mm)	Net weight(kg)	Gross weight(kg)
JH-NR10-14A	600*215*70	695*275*140	3.6	4.8
JH-NR18-14A	1000*215*70	1095*275*140	6.1	7.5
JH-NR24-14A	1500*215*70	1595*275*140	8.8	10.8
JH-NR32-14A	2000*215*70	2095*275*140	11.6	13.8
JH-NR40-14A	2000*215*70	2095*275*140	11.6	13.8
JH-NR10-14B	695*215*70	790*275*140	4.3	5.5
JH-NR18-14B	1095*215*70	1190*275*140	6.8	8.2
JH-NR24-14B	1595*215*70	1690*275*140	9.5	11.5
JH-NR32-14B	2095*215*70	2190*275*140	12.3	14.5

Model No.	Dimension(mm)	Package size(mm)	Net weight(kg)	Gross weight(kg)
JH-NR10-15A	600*189*67	695*250*145	3.7	4.8
JH-NR18-15A	1000*189*67	1095*250*145	6.2	7.4
JH-NR24-15A	1500*189*67	1595*250*145	8.8	10.6
JH-NR32-15A	2000*189*67	2095*250*145	11.4	13.4
JH-NR40-15A	2000*189*67	2095*250*145	11.4	13.4
JH-NR10-15B	695*189*67	790*250*145	4.3	5.4
JH-NR18-15B	1095*189*67	1190*250*145	6.8	8
JH-NR24-15B	1595*189*67	1690*250*145	9.4	11.2
JH-NR32-15B	2095*189*67	2190*250*145	12.2	14.2